

■ Performance Indicators At Room Temperature

(+18°C~+28°C)

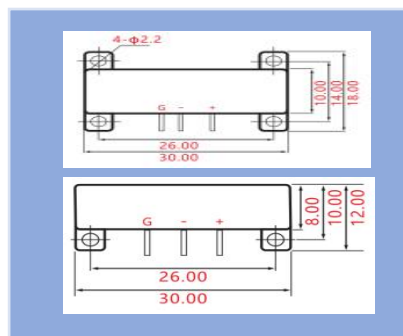
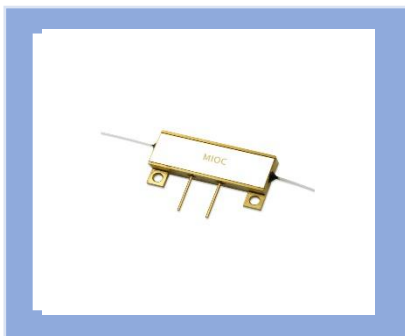
Parameter	Unit	level A
Operating Wavelength	nm	1310/1550
Splitting Ratio	%	50±1.5
Pigtail Polarization Crosstalk	dB	≤-30
Insertion Loss	dB	≤3
Waveform Slope	/	≤1/250
Half-wave Voltage	v	≤3.5
Back Reflection Loss	dB	≥55
Residual Strength Modulation	/	≤0.1%
Operation Temperature	°C	-50~+75
Pigtail Type	/	Single-mode/polarization-maintaining, 125/250nm or 80/1650pm, fiber optic fast axis coupling (or as required)

■ Performance Indicators At Full Temperature

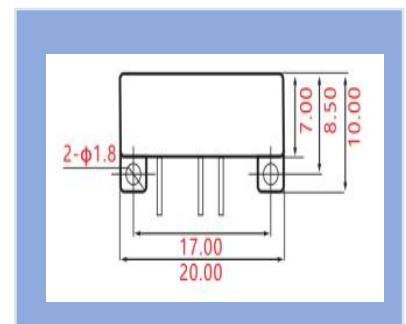
(-50°C~+75°C)

Parameter	Unit	level A
Variation In Insertion Loss	dB	≤0.3
Variation In Splitting Ratio	/	≤3.0%
Pigtail Polarization Crosstalk	dB	≤-27.0

■ Product Package size



Type A and D package



Type F package