

98-Series FOG Optical Module

■ Product Description

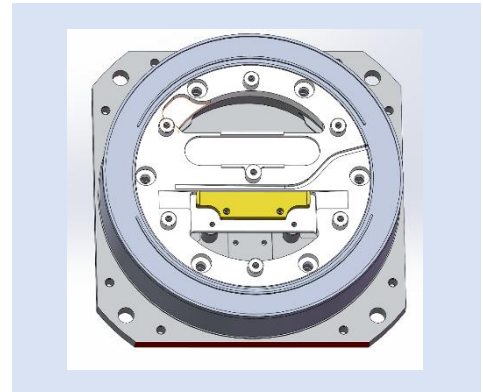
This series optical module is an optical component applied to high-precision FOG and also a special optical module that is fused and assembled by fiber-optic coils and optical devices (Y-waveguide, photodetector) in the order of gyroscope's optical path. It can replace fiber-optic coils, Y-waveguide and other loose parts for direct modular installation on the gyroscope, thus simplifying the assembly process of the FOG.

■ Product Features

- High integration
- Small size
- Easy installation
- Magnetic shielding

■ Product Application

- FOG



■ Product Specifications

Indicator	Unit	Index
Product Type	/	98K
Dimensions	mm	98x98x28
Typical Operation Wavelength	nm	1550
Fiber Coil Length	m	2660±20
Bias Stability At Room Temperature	°/h	≤0.002
Bias Stability At Full Temperature	°/h	≤0.03
Bias Repeatability (1σ)	°/h	≤0.002
Scale Factor Repeatability (1σ)	ppm	≤10
Scale Factor Nonlinearity	ppm	≤10
Scale Factor Asymmetry	ppm	≤10
Dynamic Range	°/s	±600
Bias Susceptibility	°/h/Gs	≤0.002
Operation Temperature Range	°C	-40~+70

■ Customized Information

- Different performance modules can be customized according to customer needs.