

# 68-Series FOG Optical Module

## ■ Product Description

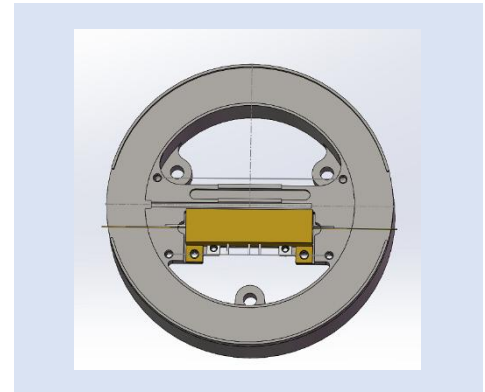
This series optical module is an optical component applied to medium- and low-precision FOG and also a special optical module that is fused and assembled by fiber-optic coils and optical devices (Y-waveguide, photodetector) in the order of gyroscope's optical path. It can replace fiber-optic coils, optical devices and other loose parts for direct modular installation on the gyroscope, thus simplifying the assembly process of the FOG.

## ■ Product Features

- High integration
- Small size
- Easy installation
- Magnetic shielding

## ■ Product Application

- FOG



## ■ Product Specifications

Indicator	Unit	Index
Product Type	/	68B
Dimensions	mm	68x68x22
Typical Operation Wavelength	nm	1310
Fiber Coil Length	m	1500±15
Bias Stability At Room Temperature	°/h	≤0.03
Bias Stability At Full Temperature	°/h	≤0.08
Bias Repeatability (1σ)	°/h	≤0.03
Scale Factor Repeatability (1σ)	ppm	≤10
Scale Factor Nonlinearity	ppm	≤10
Scale Factor Asymmetry	ppm	≤10
Dynamic Range	°/s	±500
Bias Susceptibility	°/h/Gs	≤0.03
Operation Temperature Range	°C	-40~+70

## ■ Customized Information

- Different performance modules can be customized according to customer needs.