

37-Series FOG Optical Module

■ Product Description

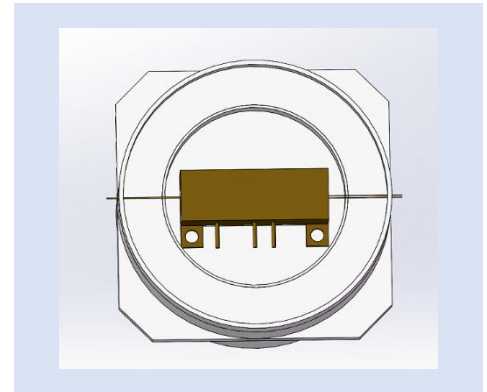
This series optical module is an optical component applied to ultraminiature FOG and also a special optical module that is fused and assembled by fiber-optic coils and optical devices (Y-waveguide, photodetector) in the order of gyroscope's optical path. It can replace fiber-optic coil, Y-waveguide and other separated parts for direct modular installation on the gyroscope, thus simplifying the assembly process of the FOG.

■ Product Features

- High integration
- Small size Light weight
- High reliability

■ Product Application

- FOG



■ Product Specifications

| Indicator | Unit | Index |
|------------------------------------|------|------------|
| Product Type | / | 37A |
| Dimensions | mm | 37x37x14.6 |
| Typical Operation Wavelength | nm | 1310 |
| Fiber Coil Length | m | 280±10 |
| Bias Stability At Room Temperature | °/h | ≤0.3 |
| Bias Stability At Full Temperature | °/h | ≤0.6 |
| Bias Repeatability (1σ) | °/h | ≤0.3 |
| Scale Factor Repeatability (1σ) | ppm | ≤50 |
| Scale Factor Nonlinearity | ppm | ≤50 |
| Scale Factor Asymmetry | ppm | ≤50 |
| Dynamic Range | °/s | ±500 |
| Operation Temperature Range | °C | 40~+70 |

■ Customized Information

- Different performance modules can be customized according to customer needs.