

32-Series FOG Optical Module

■ Product Description

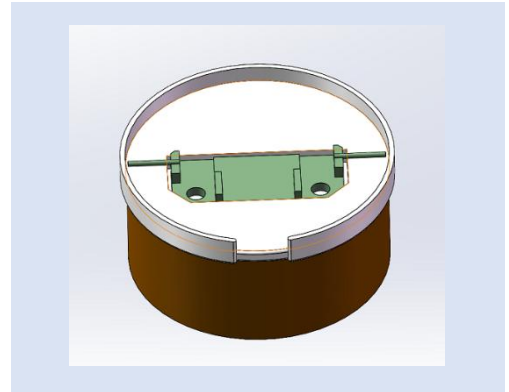
This series optical module is an optical component applied to miniaturized FOG and also a special optical module that is fused and assembled by fiber-optic coils and optical devices (Y-waveguide, photodetector) in the order of gyroscope's optical path. It can replace fiber-optic coils, Y-waveguide and other loose parts for direct modular installation on the gyroscope, thus simplifying the assembly process of the FOG.

■ Product Features

- High integration
- Small size Light weight
- High reliability

■ Product Application

- FOG



■ Product Specifications

Indicator	Unit	Index
Product Type	/	32B
Dimensions	mm	φ32x24
Typical Operation Wavelength	nm	1310
Fiber Coil Length	m	500±10
Bias Stability At Room Temperature	°/h	≤0.3
Bias Stability At Full Temperature	°/h	≤0.6
Bias Repeatability (1σ)	°/h	≤0.3
Scale Factor Repeatability (1σ)	ppm	≤50
Scale Factor Nonlinearity	ppm	≤50
Scale Factor Asymmetry	ppm	≤50
Dynamic Range	°/s	±500
Operation Temperature Range	°C	-40~+70

■ Customized Information

- Different performance modules can be customized according to customer needs.